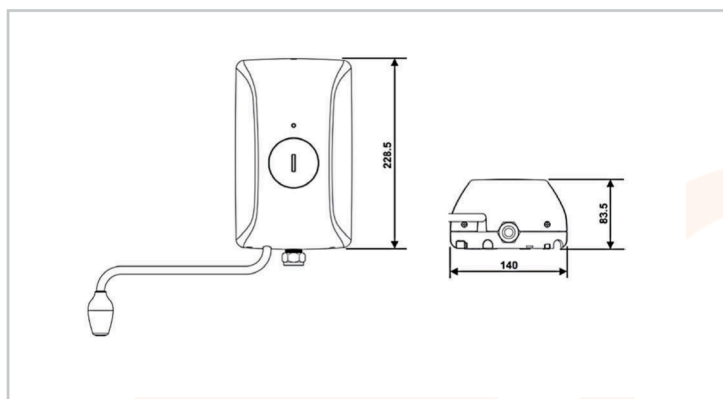




## AC6356

### Auto Hand Wash 3kW

- **Very compact point of use instant hand wash unit for continuous on demand water heating**
- **Automatic operation - sensor activated for hygienic 'touch-free' operation**
- **40 second timed auto-shut off to prevent unnecessary water and energy waste**
- **Mains cold water fed, instantaneous water heating, so no stored water heating losses**
- **3kW heating element with thermal overheat protection**
- **Heating Element 'ON' neon indicator**
- **Supplied with a 200mm metal swivel arm and anti-vandal Vortex spray head**
- **Integral 15mm compression fitting for mains cold water feed connection**
- **Unique Vortex spray head improves spray pattern and prevents limescale build-up for maintenance free water dispensing**
- **1 year UK guarantee**



#### Technical Specification

Power Output:	3kW@240V
Current Rating:	13 Amps
Max. Inlet Pressure:	7bar (100 psi)
Water Connection:	15mm compression fitting
IP Rating:	IPX4
Approvals:	BEAB (CE Marked)
ErP Class Rating:	A
Energy Efficiency:	37.59
Energy Consumption:	167 kWh/A

6-AC6356-2021-V1