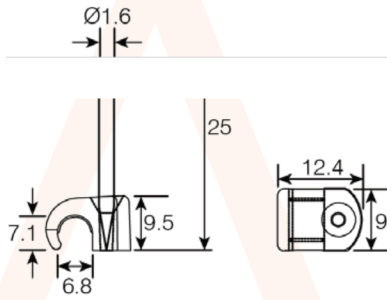




AC23307

Red Cable Clips (7-10mm Round)

- Made from high grade Polyethylene for low temperature flexibility
- Thicker than standard steel nails prevents snapping and minimising the chance of bending
- The nails are extra-long to increase the pull out rating
- The clips have self-grip design technology for quicker installation time



Technical Specification	
Colour	Red
Minimum Cable Diameter (mm)	7
Maximum Cable Diameter (mm)	10
Temperature Rating (°C)	-20 to +70

2-AC23307-2022-V1