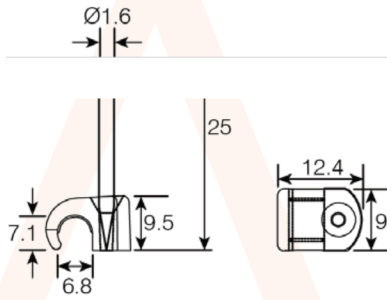




AC23306

Black Cable Clips (7-10mm Round)

- Made from high grade Polyethylene for low temperature flexibility
- Thicker than standard steel nails prevents snapping and minimising the chance of bending
- The nails are extra-long to increase the pull out rating
- The clips have self-grip design technology for quicker installation time



| Technical Specification | |
|-----------------------------|------------|
| Colour | Black |
| Minimum Cable Diameter (mm) | 7 |
| Maximum Cable Diameter (mm) | 10 |
| Temperature Rating (°C) | -20 to +70 |

2-AC23306-2022-V1