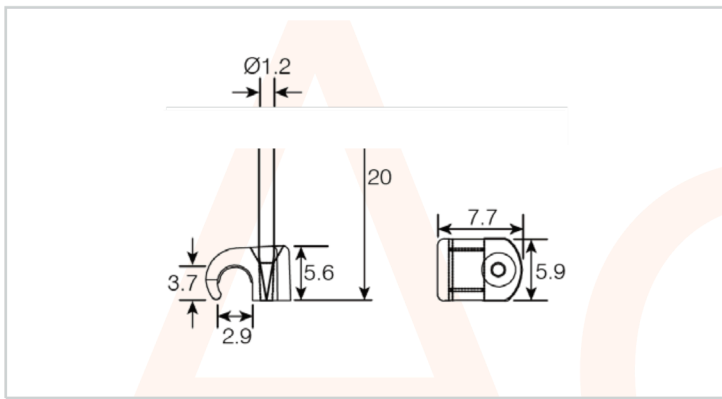




AC23301

White Cable Clips (3-5mm Round)

- Made from high grade Polyethylene for low temperature flexibility
- Thicker than standard steel nails prevents snapping and minimising the chance of bending
- The nails are extra-long to increase the pull out rating
- The clips have self-grip design technology for quicker installation time



Technical Specification	
Colour	White
Minimum Cable Diameter (mm)	3
Maximum Cable Diameter (mm)	5
Temperature Rating (°C)	-20 to +70

2-AC23301-2022-V1